

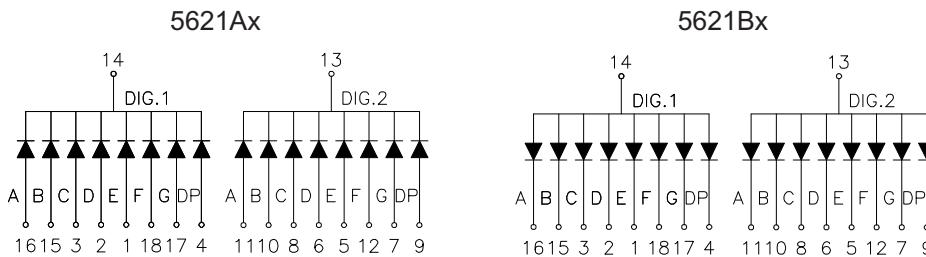
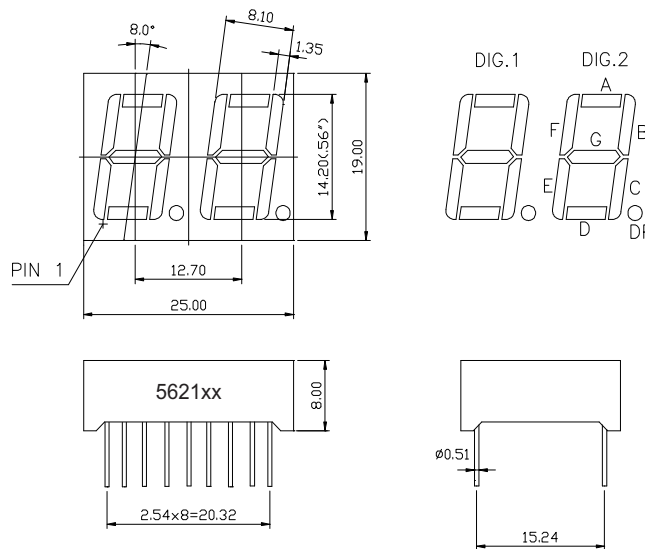
DESCRIPTION

- 14.20mm (0.56") Dual Digit Numeric Display Series
- Standard Brightness
- Low Current Operation
- Excellent Character Appearance
- Easy Mounting on PC Boards or Sockets



Package Dimensions & Internal Circuit Diagram

5621 Series



Notes:

All dimensions are in millimeters (inches)
 Tolerance is ± 0.25 (0.01") unless otherwise noted.
 Specifications are subject to change without prior notice.

Absolute Maximum Ratings (Ta = 25°C)

| Parameter | Symbol | Test Condition | Value | | Unit |
|-----------------------|------------|-----------------------|-------|-------|------|
| | | | Min | Max | |
| Reverse Voltage | V_R | IR= 30 μ A | 5 | ----- | V |
| Forward Current | I_f | ----- | ----- | 20 | mA |
| Power Dissipation | P_d | ----- | ----- | 100 | mW |
| Pulse Current | I_{peak} | Duty = 0.1ms, 1KHz | ----- | 150 | mA |
| Operating Temperature | T_{opr} | ----- | - 40 | +85 | °C |
| Storage Temperature | T_{str} | ----- | - 40 | +85 | °C |

XX :Surface / Epoxy Color :

| | | | | | | |
|--------------------------------|------------------------|----------------------|------------------------|-------------------------|-----------------------|---------------------|
| Surface Color Number | White 0 | Black 1 | Gray 2 | Red 3 | 4 | 5 |
| Epoxy Color Number | White Diffused 0 | Red Diffused 1 | Green Diffused 2 | Yellow Diffused 3 | Blue Diffused 4 | Water Clear 5 |